

# CONSTRUCTION

## Foundation Drilling Cutting Tools



# Foundation Drilling

At Kennametal, our commitment to your most demanding foundation drilling applications is unparalleled. We have a long history of helping you achieve success and a tradition of exceeding your expectations.

We remain focused on redefining and advancing the earthworks industries through our world-class solutions — delivered by professionals who are committed to the health and profitability of your enterprise.

**MISSION** Kennametal delivers productivity to customers seeking peak performance in demanding environments by providing innovative custom and standard wear-resistant solutions, enabled through our advanced materials sciences, application knowledge, and commitment to a sustainable environment.







## Table of Contents

Quick Change .....	5-7
Wall Cutters .....	7-9
Welding Bars .....	10-16
Flat Tools .....	17
Modular Pilot Drills .....	17-19
Informational Icons Guide .....	19



The foundation for a successful drilling operation is built on rock-steady reliability and progress. Kennametal, the world's leading tooling and services provider, proudly introduces SOLID, our solution-focused platform that yields new levels of performance and productivity. SOLID-engineered tools deliver in the most challenging conditions. For unmatched quality, value, innovation, and application expertise, make Kennametal your SOLID choice.

# Safety and Environment

Kennametal's goal of 100% safe extends far beyond our global operations to reach customers at their work sites, encouraging a community that values the implementation of safety procedures.

Kennametal ensures safety compliance by thoroughly testing and inspecting products and confirming that vehicles are appropriately equipped with safety equipment. Safety training is readily available to employees and customers alike. Whether in the office or at a customer's site, our employees drive a culture of 100% safe.





We protect our planet with a commitment to reduce the global impact Kennametal and our customers have on the environment — establishing effective sustainability practices and policies within the construction industry.

Helping customers meet their overall goals is clearly an objective of Kennametal's sustainability program. We focus on products that provide customers with lower fuel costs, reduced packaging requirements, lower transportation costs, and improved product performance. Kennametal continues to evaluate improved packaging materials — such as biodegradable options. By helping customers address their need to become more efficient, we make ourselves more sustainable.





## KF Series • An Entirely New Platform for Foundation Drilling

Kennametal tools are the toughest, strongest, and longest lasting in the construction industry. Our cutting tools are renowned for their exceptional durability and wear resistance.

The foundation for a successful drilling operation is built on rock-solid reliability and progress. Kennametal, the world's leading tooling and services provider, proudly introduces a new platform of products — the KF Series. The KF Series covers the majority of core barrel applications.

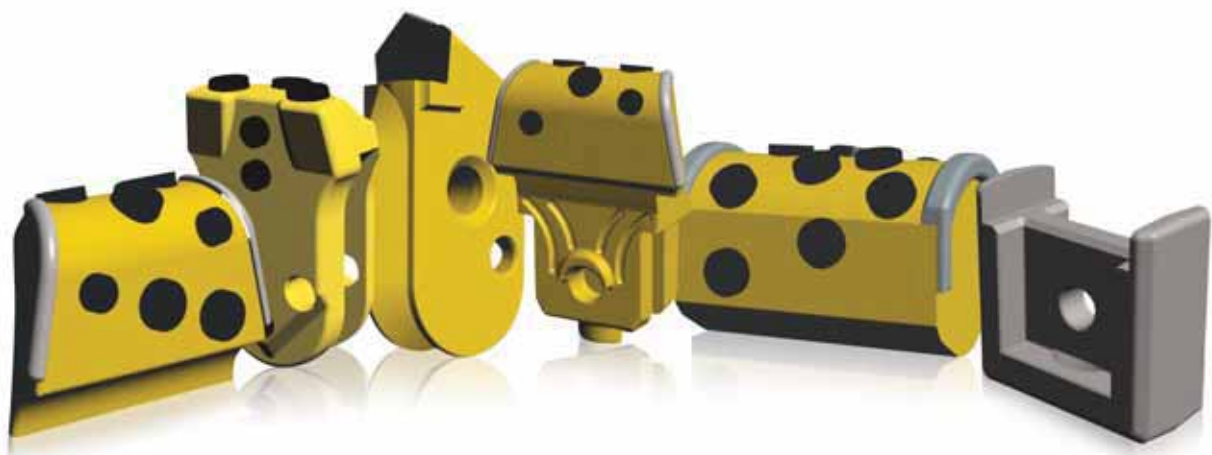
### Features and Benefits

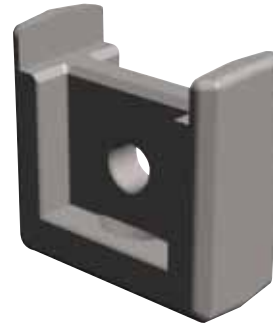
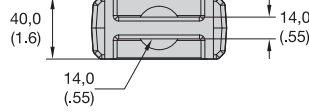
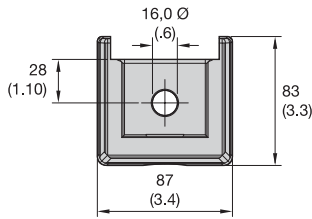
#### Complete Portfolio and Offering

- NEW KF Series is complementary to existing portfolio of foundation drilling tools.
- Local technical support and inventory.

#### Superior Performance

- Ideal anywhere foundation drilling is being done, especially deep foundation of large diameter bore holes.
- Maintains Kennametal high standards of quality and performance and yields new levels of performance and productivity.

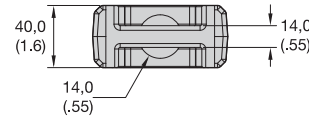
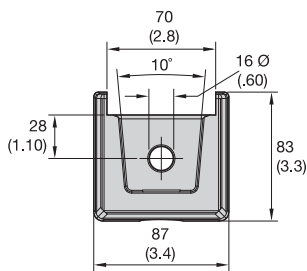




**NEW!**

■ KFQH408783NNU1

order number	catalog number
5379399	KFQH408783NNU1



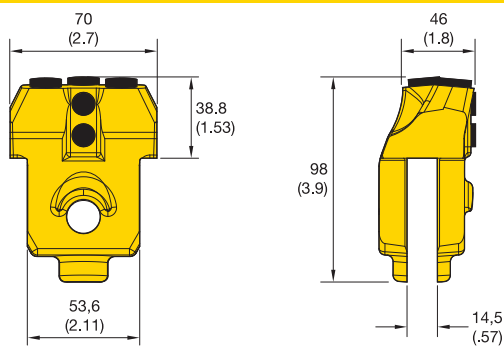
**NEW!**

■ KFQH408783NNUC

order number	catalog number
5379510	KFQH408783NNUC

■ Packaging Information

weight per piece		order number	catalog number	container type	pieces per container	container weight (approximate)	
kg	lbs					kg	lbs
1,18	2.60	5379399	KFQH408783NNU1	box	10	11,8	26.0
1,22	2.70	5379510	KFQH408783NNUC	box	10	12,2	27.0

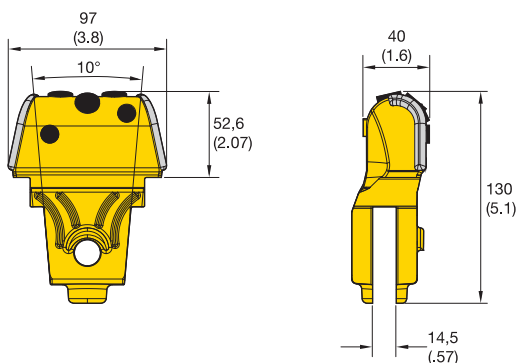


**NEW!**

■ KFQT407085NNF1

order number  
5379511

catalog number  
KFQT407085NNF1

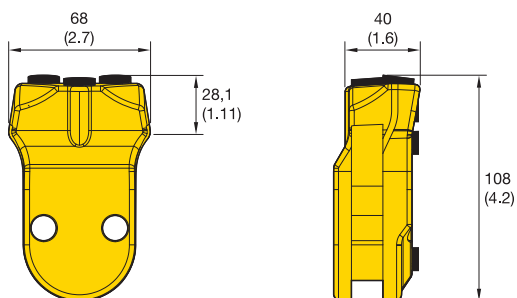


**NEW!**

■ KFQT407085NNFC

order number  
5379512

catalog number  
KFQT407085NNFC



**NEW!**

■ KFQT4070110NNF

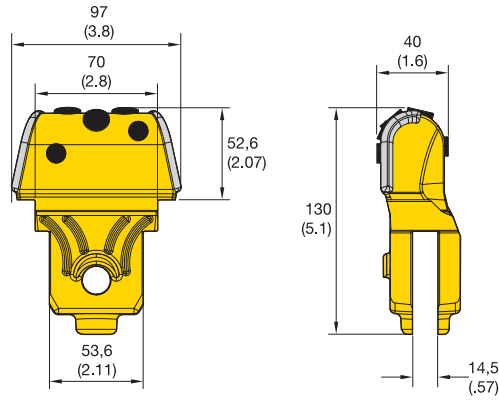
order number  
5379513

catalog number  
KFQT4070110NNF

■ Packaging Information

weight per piece		order number	catalog number	container type	pieces per container	container weight (approximate)	
kg	lbs					kg	lbs
1,17	2.58	5379511	KFQT407085NNF1	box	10	11,7	25.8
1,80	3.96	5379512	KFQT407085NNFC	box	10	18,0	39.6
1,30	2.87	5379513	KFQT4070110NNF	box	10	13,0	28.7



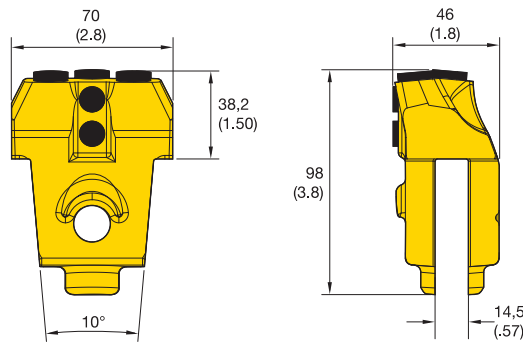


**NEW!**

■ KFQT4395130NNR

order number  
5379514

catalog number  
KFQT4395130NNR

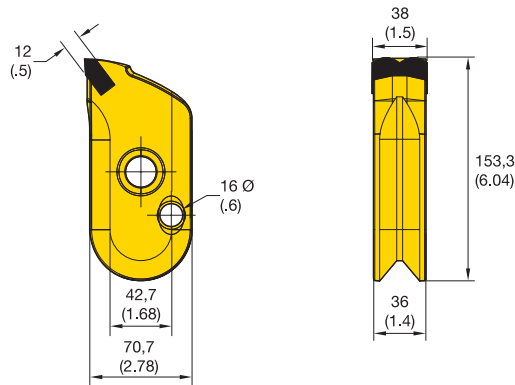


**NEW!**

■ KFQT4395130NNRC

order number  
5379515

catalog number  
KFQT4395130NNRC



**NEW!**

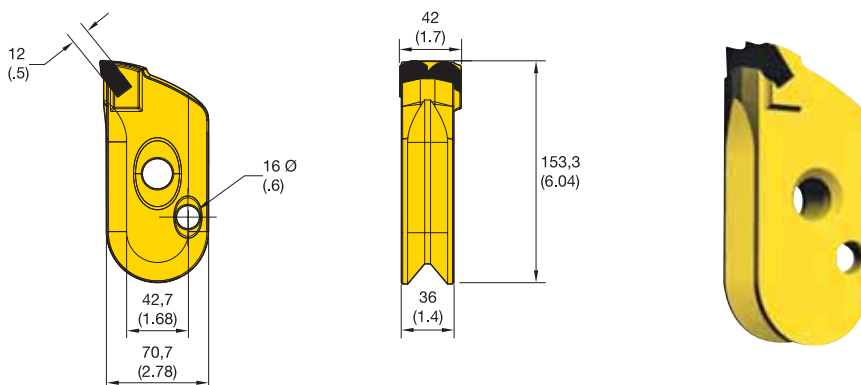
■ KFWC3870153NNSD

order number  
5379516

catalog number  
KFWC3870153NNSD

■ Packaging Information

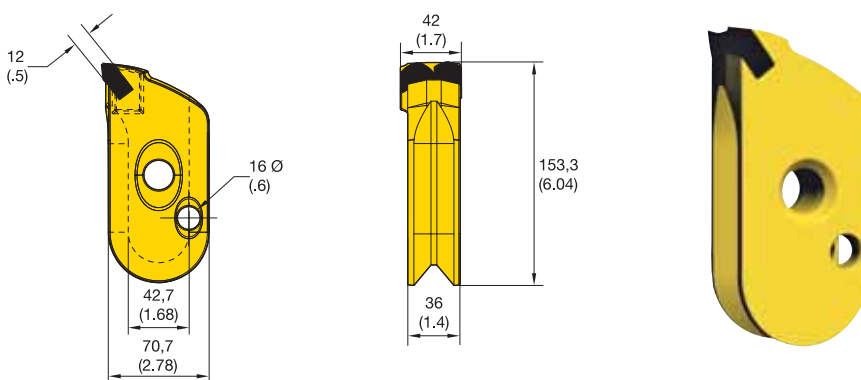
weight per piece		order number	catalog number	container type	pieces per container	container weight (approximate)	
kg	lbs					kg	lbs
1,13	2.50	5379514	KFQT4395130NNR	box	10	11,3	25.0
1,83	4.03	5379515	KFQT4395130NNRC	box	10	18,3	40.3
2,10	4.62	5379516	KFWC3870153NNSD	box	5	10,5	23.1



**NEW!**

■ KFWC4270153RNSD

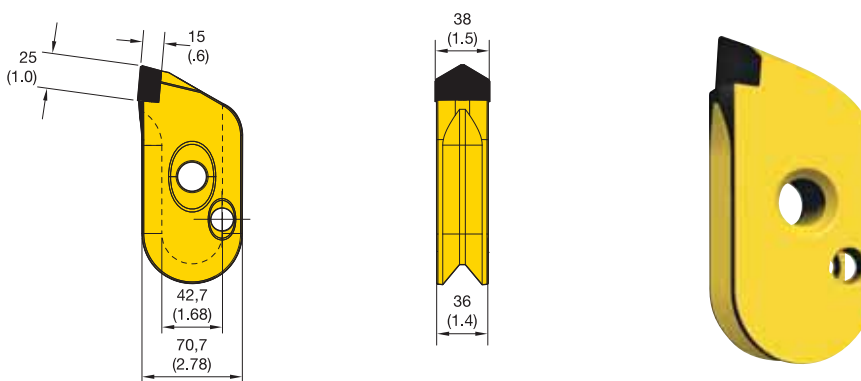
order number 5379517	catalog number KFWC4270153RNSD
-------------------------	-----------------------------------



**NEW!**

■ KFWC4270153LNSD

order number 5379518	catalog number KFWC4270153LNSD
-------------------------	-----------------------------------



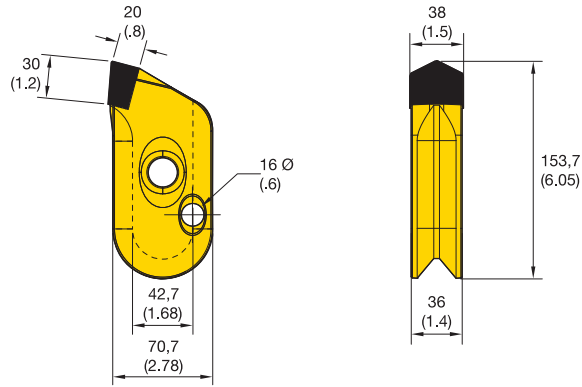
**NEW!**

■ KFWC3870153NNSS1

order number 5379519	catalog number KFWC3870153NNSS1
-------------------------	------------------------------------

■ Packaging Information

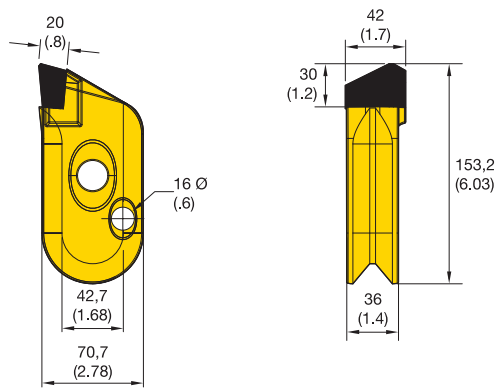
weight per piece		order number	catalog number	container type	pieces per container	container weight (approximate)	
kg	lbs					kg	lbs
2,12	4.67	5379517	KFWC4270153RNSD	box	5	10,6	23.4
2,12	4.67	5379518	KFWC4270153LNSD	box	5	10,6	23.4
2,01	4.43	5379519	KFWC3870153NNSS1	box	5	10,0	22.2



**NEW!**

**KFWC3870153NNSS2**

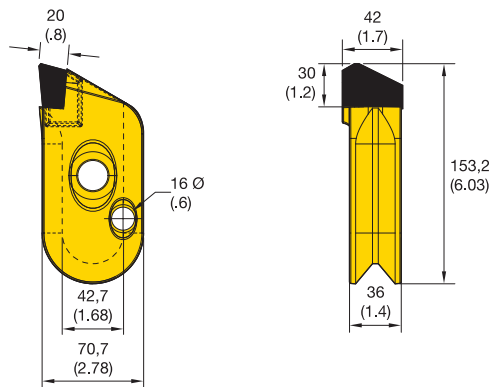
order number	catalog number
5379520	KFWC3870153NNSS2



**NEW!**

**KFWC4270153RNSS**

order number	catalog number
5379521	KFWC4270153RNSS



**NEW!**

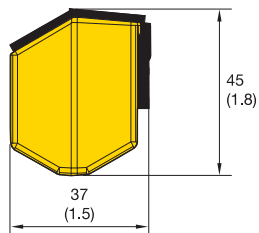
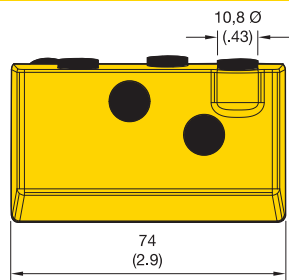
**KFWC4270153LNSS**

order number	catalog number
5379522	KFWC4270153LNSS

**Packaging Information**

weight per piece		order number	catalog number	container type	pieces per container	container weight (approximate)	
kg	lbs					kg	lbs
2,05	4,52	5379520	KFWC3870153NNSS2	box	5	10,3	22,6
2,05	4,51	5379521	KFWC4270153RNSS	box	5	10,2	22,6
2,05	4,51	5379522	KFWC4270153LNSS	box	5	10,2	22,6

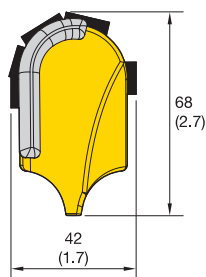
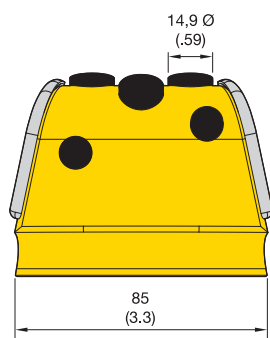




**NEW!**

■ KFWB377347NNF

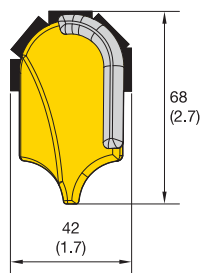
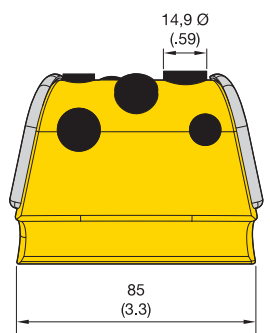
order number 5379523	catalog number KFWB377347NNF
-------------------------	---------------------------------



**NEW!**

■ KFWB429366NNR6

order number 5379524	catalog number KFWB429366NNR6
-------------------------	----------------------------------



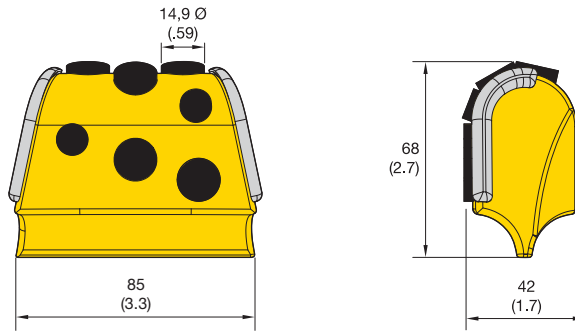
**NEW!**

■ KFWB429366NNR7

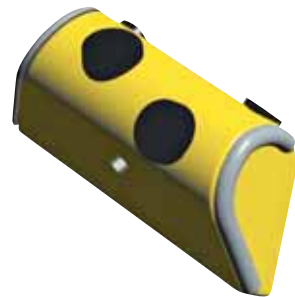
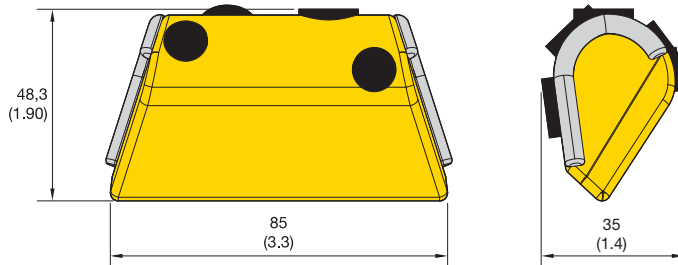
order number 5379525	catalog number KFWB429366NNR7
-------------------------	----------------------------------

■ Packaging Information

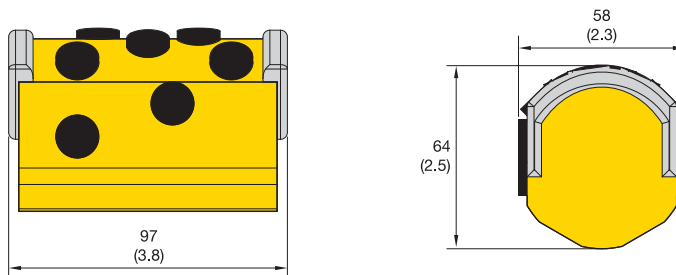
weight per piece		order number	catalog number	container type	pieces per container	container weight (approximate)	
kg	lbs					kg	lbs
0,77	1.69	5379523	KFWB377347NNF	box	20	15,3	33.8
1,01	2.22	5379524	KFWB429366NNR6	box	15	15,1	33.3
1,03	2.26	5379525	KFWB429366NNR7	box	15	15,4	33.9

**NEW!**

**KFWB429366NNR8**

order number 5379526	catalog number KFWB429366NNR8
-------------------------	----------------------------------

**NEW!**

**KFWB359048NNR**

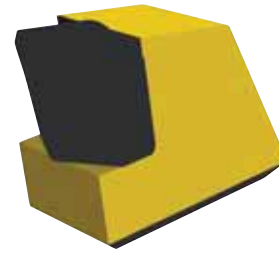
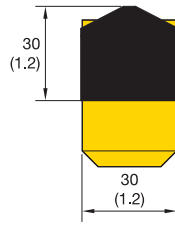
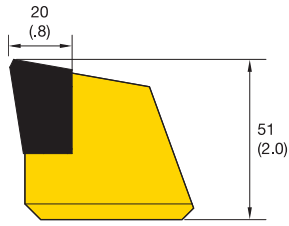
order number 5379527	catalog number KFWB359048NNR
-------------------------	---------------------------------

**NEW!**

**KFWB589366NNR**

order number 5379528	catalog number KFWB589366NNR
-------------------------	---------------------------------

**Packaging Information**

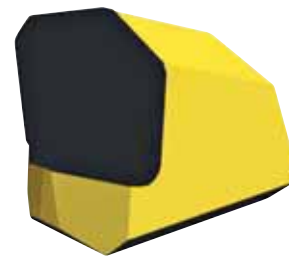
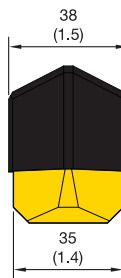
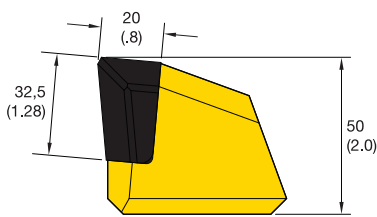
weight per piece		order number	catalog number	container type	pieces per container	container weight (approximate)	
kg	lbs					kg	lbs
1,05	2.31	5379526	KFWB429366NNR8	box	15	15,7	34.7
0,64	1.42	5379527	KFWB359048NNR	box	25	16,1	35.5
2,15	4.75	5379528	KFWB589366NNR	box	8	17,2	38.0



**NEW!**

**■ KFWT316050NNS**

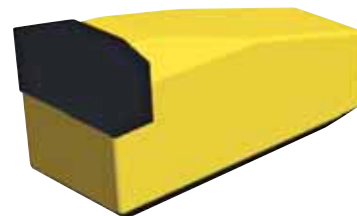
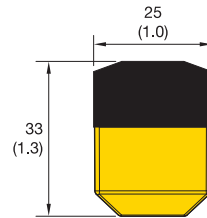
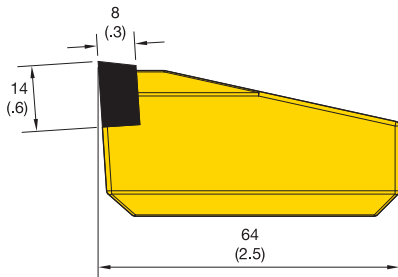
<b>order number</b> 5379529	<b>catalog number</b> KFWT316050NNS
--------------------------------	--



**NEW!**

**■ KFWT386050NNS**

<b>order number</b> 5379530	<b>catalog number</b> KFWT386050NNS
--------------------------------	--



**NEW!**

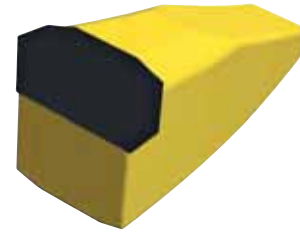
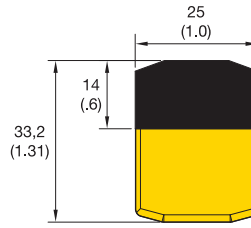
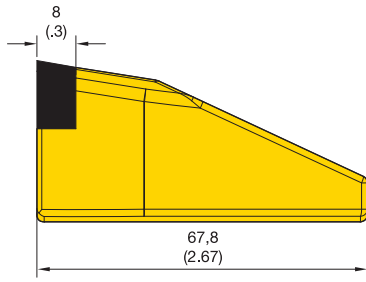
**■ KFWT256434NNF**

<b>order number</b> 5379531	<b>catalog number</b> KFWT256434NNF
--------------------------------	--

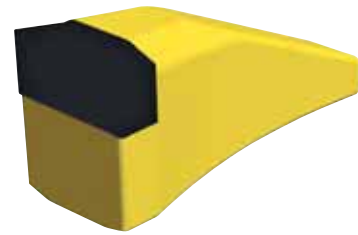
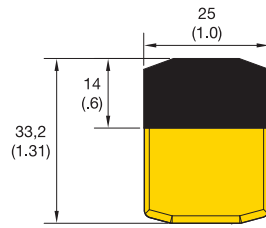
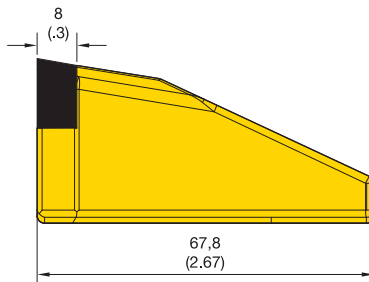
**■ Packaging Information**

weight per piece		order number	catalog number	container type	pieces per container	container weight (approximate)	
kg	lbs					kg	lbs
0,56	1.24	5379529	KFWT316050NNS	box	15	8,4	18.6
0,65	1.43	5379530	KFWT386050NNS	box	15	9,7	21.5
0,29	0.63	5379531	KFWT256434NNF	box	50	14,3	31.6

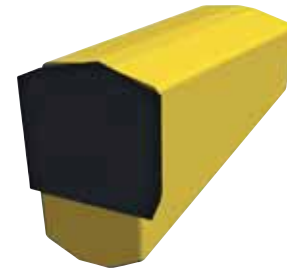
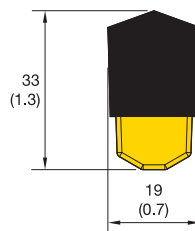
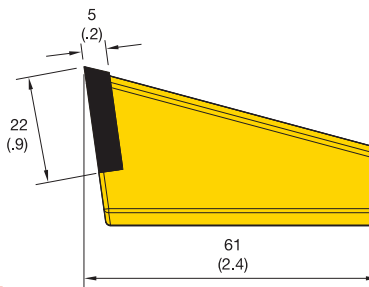



**NEW!**
**KFWT25R34LNF**

<b>order number</b> 5379532	<b>catalog number</b> KFWT25R34LNF
--------------------------------	---------------------------------------


**NEW!**
**KFWT25R34RNS**

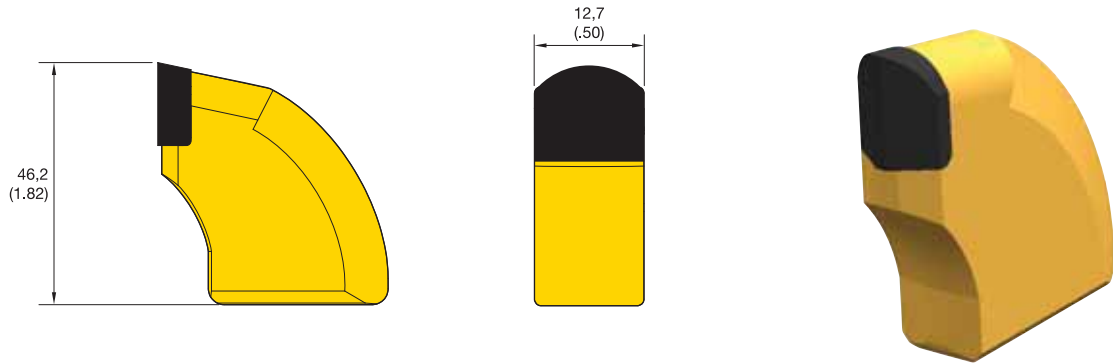
<b>order number</b> 5379533	<b>catalog number</b> KFWT25R34RNS
--------------------------------	---------------------------------------


**NEW!**
**KFWT196033NNF**

<b>order number</b> 5379534	<b>catalog number</b> KFWT196033NNF
--------------------------------	--

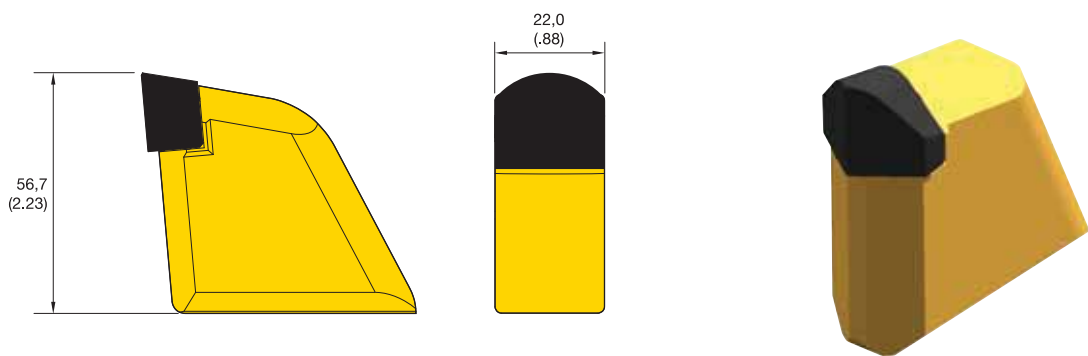
**Packaging Information**

weight per piece		order number	catalog number	container type	pieces per container	container weight (approximate)	
kg	lbs					kg	lbs
0,26	0,58	5379532	KFWT25R34LNF	box	50	13,1	28,9
0,26	0,58	5379533	KFWT25R34RNS	box	50	13,1	28,9
0,16	0,36	5379534	KFWT196033NNF	box	50	8,1	17,8



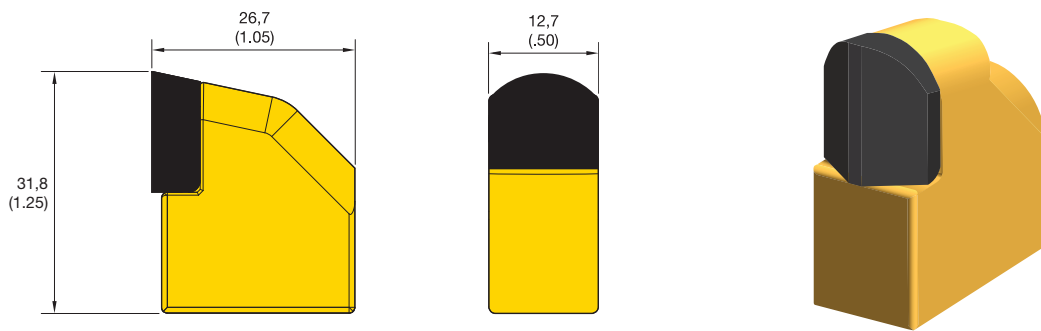
■ DT50

order number <b>1086101</b>	catalog number <b>DT50</b>
--------------------------------	-------------------------------



■ DT87

order number <b>1086378</b>	catalog number <b>DT87 TOOTH</b>
--------------------------------	-------------------------------------

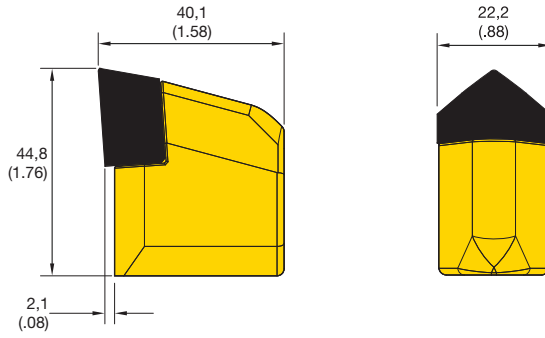


■ RT1

order number <b>1784646</b>	catalog number <b>RT1</b>
--------------------------------	------------------------------

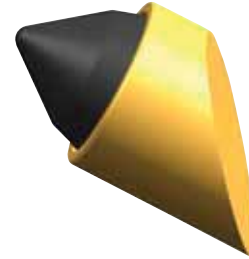
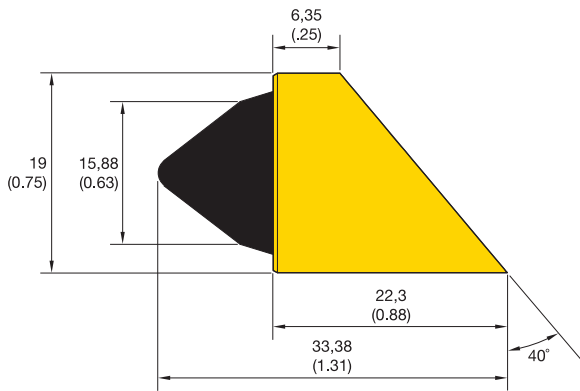
■ Packaging Information

weight per piece		order number	catalog number	container type	pieces per container	container weight (approximate)	
kg	lbs					kg	lbs
0,12	0,27	<b>1086101</b>	<b>DT50</b>	bucket	150	18,3	40,3
0,35	0,78	<b>1086378</b>	<b>DT87 TOOTH</b>	bucket	50	17,7	39,0
0,07	0,16	<b>1784646</b>	<b>RT1</b>	bucket	200	14,1	31,1



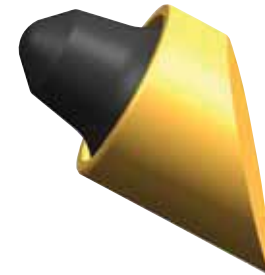
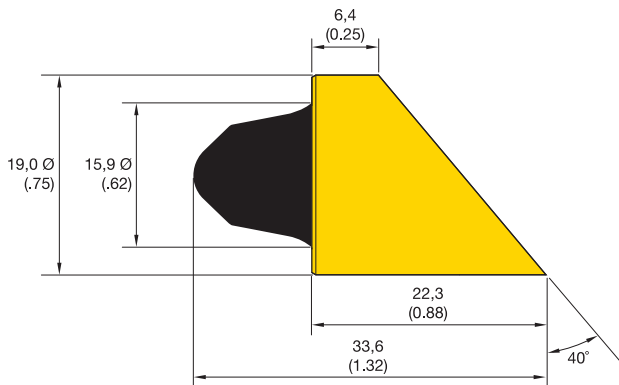
■ RT2

order number	catalog number
1844257	RT2



■ BR1

order number	catalog number
1800063	BR1



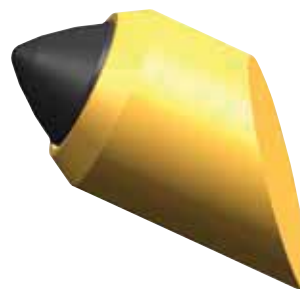
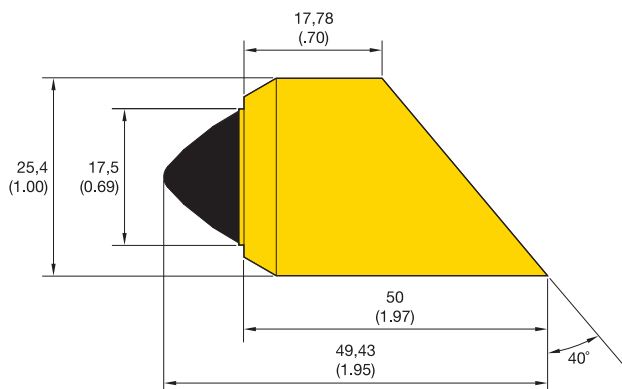
■ BR2

order number	catalog number
1858633	BR2

■ Packaging Information

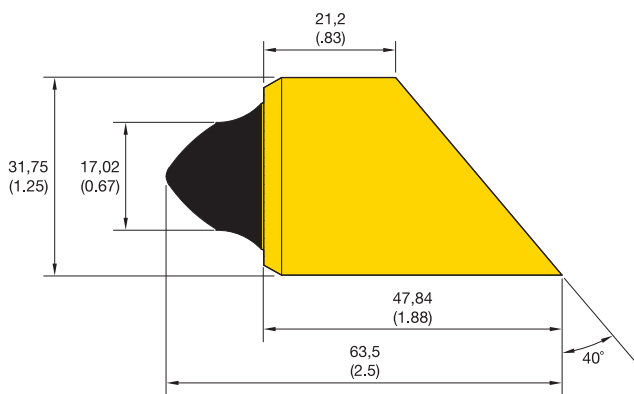
weight per piece		order number	catalog number	container type	pieces per container	container weight (approximate)	
kg	lbs					kg	lbs
0,21	0.47	1844257	RT2	bucket	100	21,4	47.3
0,05	0.10	1800063	BR1	bucket	300	14,1	31.0
0,05	0.10	1858633	BR2	bucket	300	14,1	31.0





■ BR3

order number	catalog number
1858622	BR3

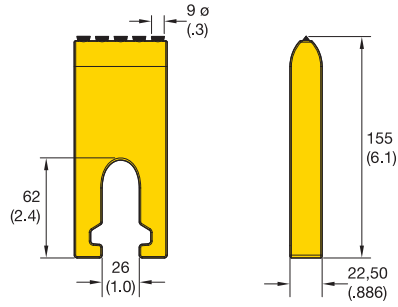


■ BR4

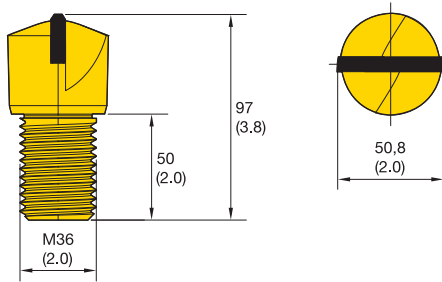
order number	catalog number
1858634	BR4

■ Packaging Information

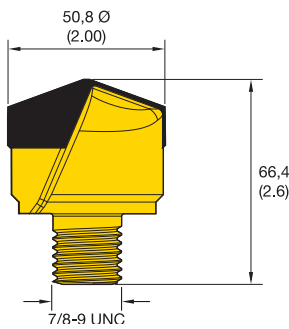
weight per piece		order number	catalog number	container type	pieces per container	container weight (approximate)	
kg	lbs					kg	lbs
0,14	0,31	1858622	BR3	bucket	150	20,9	46,0
0,27	0,59	1858634	BR4	bucket	80	21,5	47,4


**NEW!**
**KFFT2258155NNS**

order number	catalog number
5379397	KFFT2258155NNS


**NEW!**
**KFPD5097RNM36**

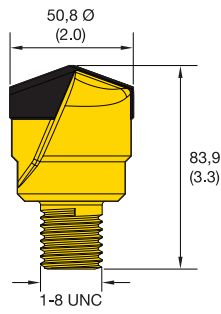
order number	catalog number
5379398	KFPD5097RNM36


**CP15 7/8-9 UNC**

order number	catalog number
1324059	CP15 7/8-9 UNC

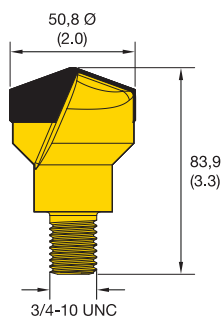
**Packaging Information**

weight per piece		order number	catalog number	container type	pieces per container	container weight (approximate)	
kg	lbs					kg	lbs
1,42	3.14	5379397	KFFT2258155NNS	box	10	14,2	31.4
0,87	1.91	5379398	KFPD5097RNM36	box	10	8,7	19.1
0,49	1.08	1324059	CP15 7/8-9 UNC	box	20	0,5	1.1



■ CP16 1-8 UNC

<b>order number</b> 1012300	<b>catalog number</b> CP16 1-8 UNC
--------------------------------	---------------------------------------



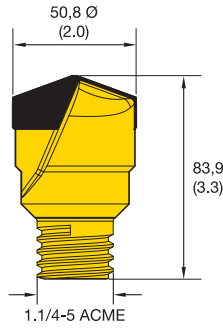
■ CP17 3/4-10 UNC

<b>order number</b> 1012301	<b>catalog number</b> CP17 3/4-10 UNC
--------------------------------	--

■ Packaging Information

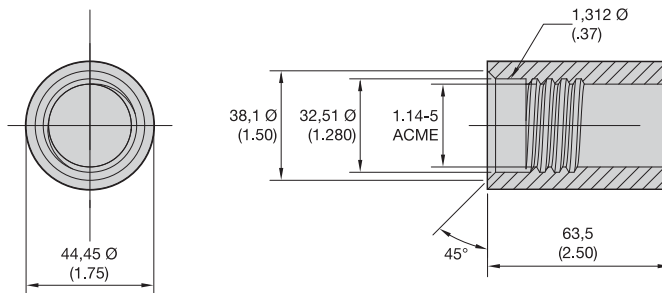
weight per piece		order number	catalog number	container type	pieces per container	container weight (approximate)	
kg	lbs					kg	lbs
0,67	1.48	1012300	CP16 1-8 UNC	box	20	0,7	1.5
0,53	1.16	1012301	CP17 3/4-10 UNC	box	20	0,5	1.2





■ CP18 1.1/4-5 ACME

<b>order number</b> 1012304	<b>catalog number</b> CP18 1.1/4-5 ACME
--------------------------------	--



■ CP18 Holder

<b>order number</b> 1012287	<b>catalog number</b> CP18 HOLDER
--------------------------------	--------------------------------------

■ Packaging Information

weight per piece		order number	catalog number	container type	pieces per container	container weight (approximate)	
kg	lbs					kg	lbs
0,73	1.62	1012304	CP18 1.1/4-5 ACME	box	20	0,7	1.6
0,40	0.88	1012287	CP18 HOLDER	box	20	0,0	0.0

Informational Icons Guide

	Insert Type: Valve Seat		Insert Type: Narrow Bottom (NB)		Insert Type: Cap
--	----------------------------	--	---------------------------------------	--	---------------------

## SAFETY NOTE

Kennametal has no control over the end use of its products or the environment into which those products are placed. Kennametal urges its customers to adhere to the recommended standards of use of their machines and tools and that they follow procedures that ensure safe operations.

The information included in this catalog and other recommendations on machining practices referred to herein are only advisory in nature and do not constitute representations or warranties and are not necessarily appropriate for any particular work environment or application.

Kennametal Inc. encourages the safe use of its products.

To help avoid personal injury or damage to tools, please follow these recommended guidelines:

- Wear approved personal protection equipment, including eye, ear, head, and foot protection.
- Make sure tools are properly seated and securely retained.
- Do not strike tools with metal objects. Carbide tips could shatter.
- Exercise care when removing tools.
- Inspect tools before each use. If they are dull, cracked, burred, or bent, do not use them.
- Operate all machines within the OEM parameters and with safety in mind. Stand clear of machines in use and make sure protective guards are in place.
- Do not change tools when the drum is moving or still engaged.







**Argentina**

Phone: 54.11.4719.0700

Fax: 54.11.4719.6116

**Australia/New Zealand**

Phone: 61.7.3801.5844

Fax: 61.7.3801.5826

k-sydn.service@kennametal.com

**Brazil/Latin America**

Phone: 55.19.3936.9200

Fax: 55.19.3936.9201

bra.marketing@kennametal.com

**Chile**

Phone: 56.2.2641177

Fax: 001.888.442.4964

**China**

Phone: 86.400.650.1388

Fax: 86.10.8561.5263

k-cn-earthwork.service@kennametal.com

**Germany/European Served Area**

Phone: 49.6172.737.498

Fax: 49.6172.737.42.453

mcs-ag.service@kennametal.com

**India**

Phone: 91.80.2839.4321

Phone: 91.80.2219.8444

Fax: 91.80.2839.1300

**Japan**

Phone: 81.3.3820.2855

Fax: 81.3.3820.2800

k-jp.service@kennametal.com

**Korea**

Phone: 82.2.2109.6100

Fax: 82.2.2109.6981

**Malaysia**

Phone: 6.03.5569.9080

Fax: 6.03.5569.0080

**Poland/Slovakia/Baltics**

Phone: 48.61.665.6520

Fax: 48.61.665.6521

zory.orders@kennametal.com

**South Africa/Sub Saharan Area**

Phone: 27.11397.3540

Fax: 27.11397.3222

**Singapore/Vietnam/Philippines/Indonesia**

Phone: 65.6265.9222

Fax: 65.6861.0922

k-sg.sales@kennametal.com

**Thailand**

Phone: 66.2642.3455

Fax: 66.2641.2736-8

**United States/Canada/Mexico**

Phone: 800.458.3608

Fax: 800.521.3319

mcs-na.service@kennametal.com

### **World and Corporate Headquarters**

Kennametal Inc.  
1600 Technology Way  
Latrobe, PA 15650 USA  
Phone: 800.446.7738 (United States and Canada)  
E-mail: [info@kennametal.com](mailto:info@kennametal.com)

### **European Headquarters**

Kennametal Europe GmbH  
Rheingoldstrasse 50  
CH 8212 Neuhausen am Rheinfall  
Switzerland  
Phone: (41) 52.6750.100  
E-mail: [neuhausen.info@kennametal.com](mailto:neuhausen.info@kennametal.com)

### **Asia-Pacific Headquarters**

Kennametal (Singapore) Pte. Ltd.  
3A International Business Park  
Unit #01-02/03/05, ICON@IBP  
Singapore 609935  
Phone: 65.6265.9222  
E-mail: [k-sg.sales@kennametal.com](mailto:k-sg.sales@kennametal.com).

### **India Headquarters**

Kennametal India Limited  
8/9th Mile, Tumkur Road  
Bangalore - 560 073  
Phone: +91 (80) 2839 4321  
E-mail: [bangalore.information@kennametal.com](mailto:bangalore.information@kennametal.com)

