



**tecniiwell**

JET-GROUTING, GROUTING AND DRILLING EQUIPMENT



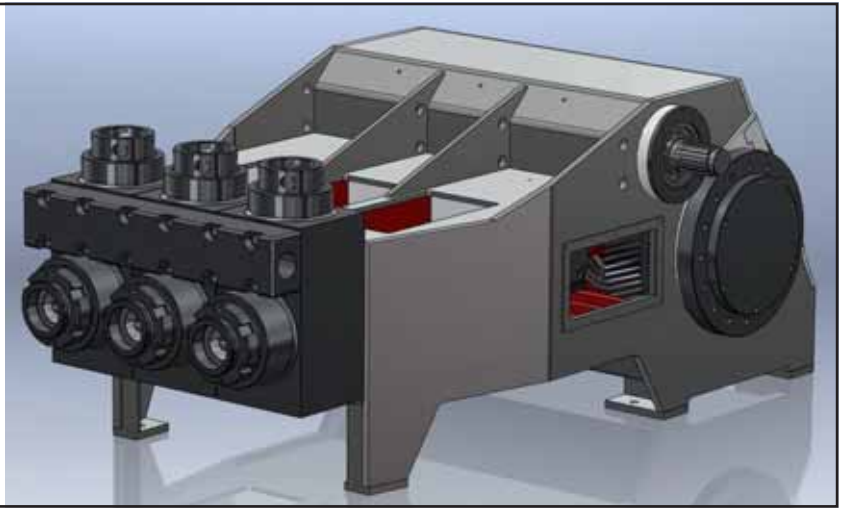
# Tw 800

POMPA FANGO TRIPLEX  
TRIPLEX MUD PUMP



**Dimensioni corpo pompa TW 800  
Bare shaft TW 800 pump dimensions**

Larghezza / Width . . . . . 1.600 mm  
Lunghezza / Length . . . . . 2.450 mm  
Altezza / Height . . . . . 980 mm

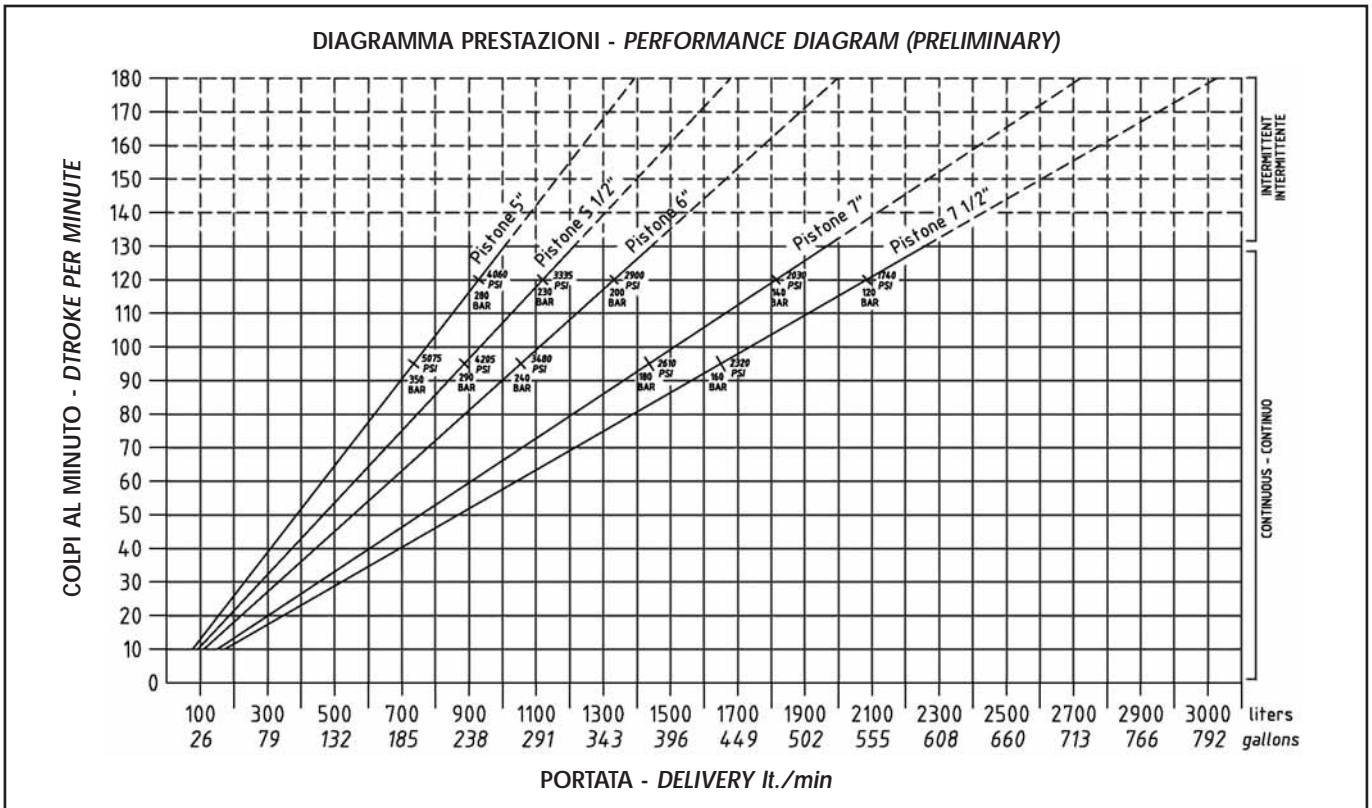


**Principali caratteristiche modello TW 800 / Main features of model TW 800**

Pressione massima / Maximum pressure . . . . . 350 bar // 35 MPa (5.076 psi)  
Portata massima / Maximum flow rate . . . . . 3.120 lit/min (818 gpm)  
Potenza massima / Diesel engine power . . . . . 800 HP  
Diametro pistoni / Piston diameter . . . . . 5" - 5 1/2" - 6" - 7" - 7 1/2"  
Corsa pistoni / Piston stroke . . . . . 203,2 mm (8")  
Colpi / Stroke rate . . . . . 160 /min (160 spm)  
Diametro mandata / High pressure output diameter . . . . . 76,2 mm (3")

**Dimensioni e peso / Overall dimensions and weight**

Larghezza / Width	Lunghezza / Length	Altezza / Height	Peso / Weight
2.500 mm (8' 2")	6.800 mm (21' 2")	2.600 mm (8' 6")	18.000 Kg (39.683 lb)



**tecniwell**  
JET-GROUTING, GROUTING AND DRILLING EQUIPMENT

Tecniwell S.r.l. - Via I° Maggio, 61 - 29027 Podenzano (PC) Italy  
T +39 0523 524086 - F +39 0523 524088  
E mail:info@tecniwell.com - http://www.tecniwell.com

